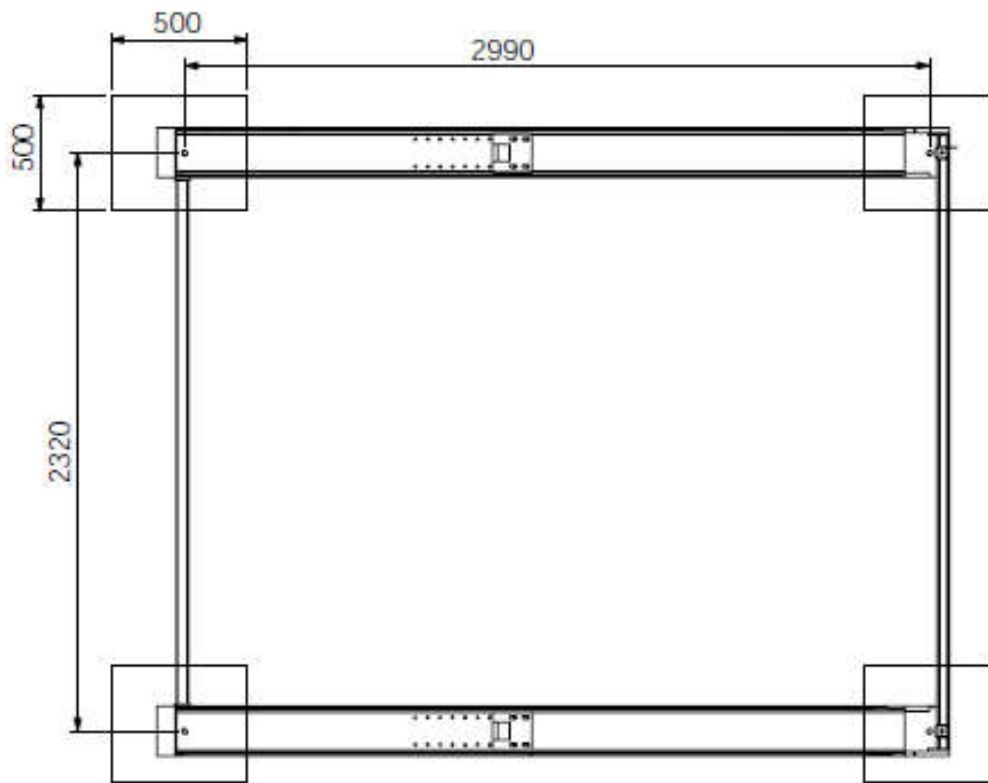




DSPL606

Installation instructions



DSPL606 Foundation:

The ground compressive strength should not be less than 200KGS/CM²
Concrete thickness not less than 800MM, Strength not less than level 250
New concrete should be set 28days, level error not more than 3MM

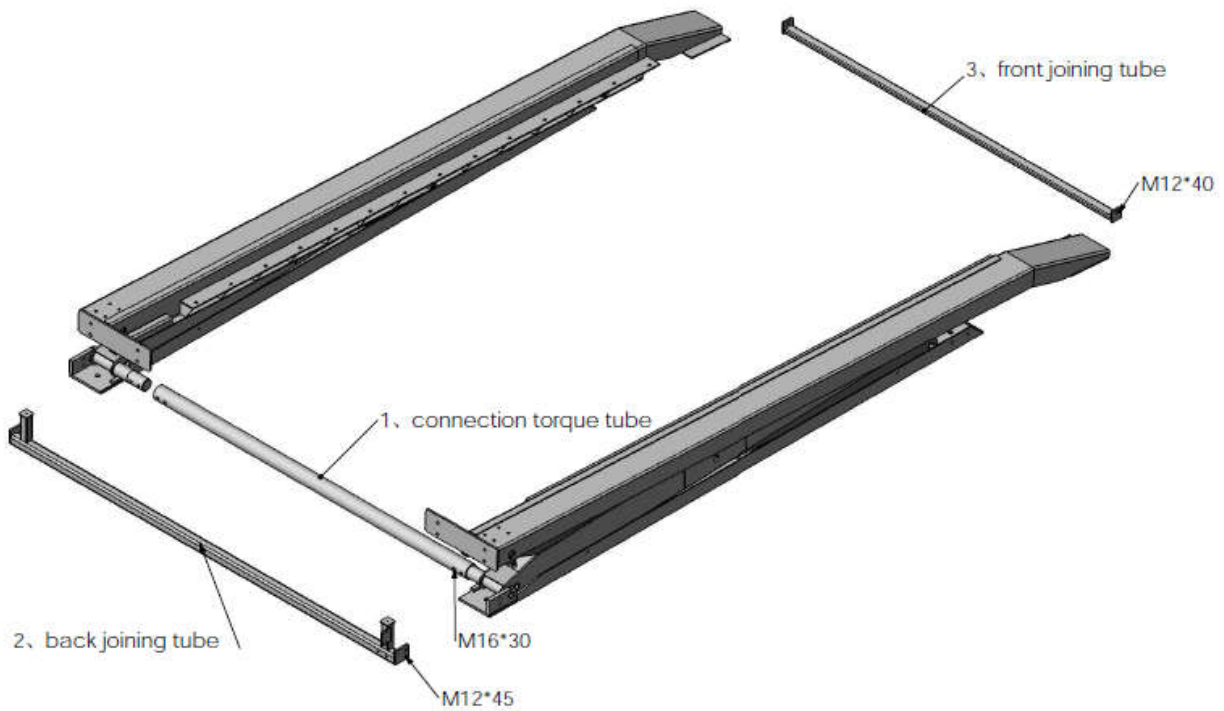


Figure 1

- 1. First put one side of the machine on the ground ,used M16*30 bolt contact connection torque tube ,then put another side of the machine to install like above .**
- 2. To install the back joining tube and the front joining tube as the Figure**

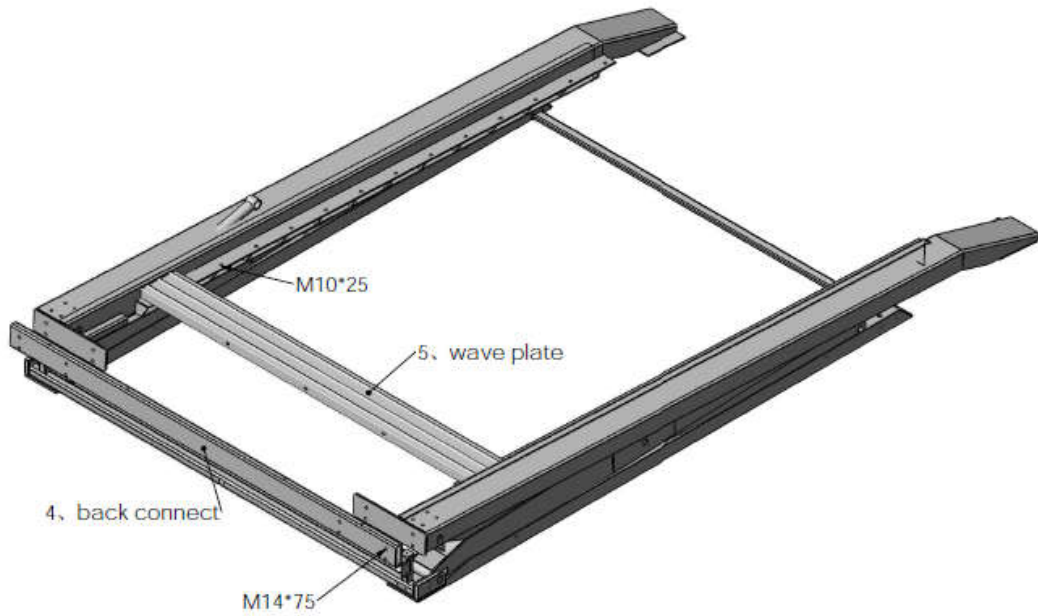


Figure 2

Install back connect as the Figure 2

Install the wave plate as the Figure 2(wave plate total 13 pcs)

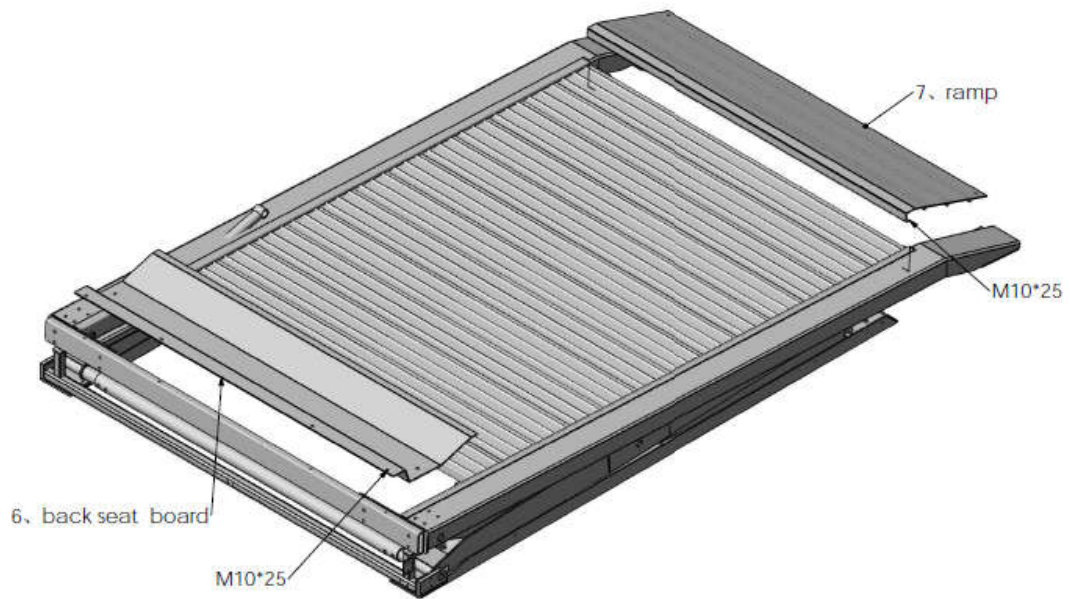


Figure 3

Install back seat board and the ramp as the Figure 3.

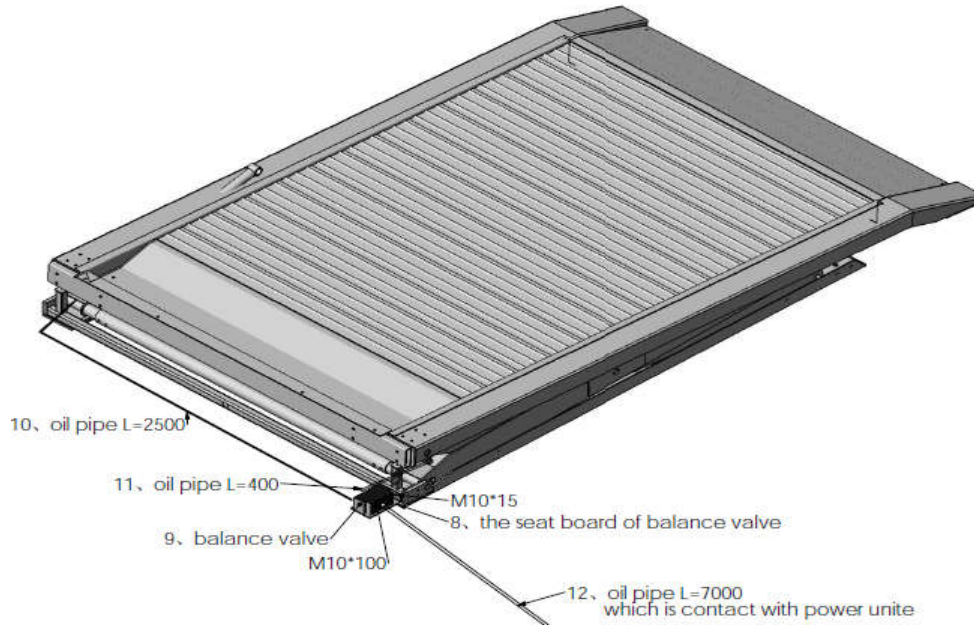


Figure 4

Figure4 is the Oil circuit connection diagram, please install the parts as the Figure 4

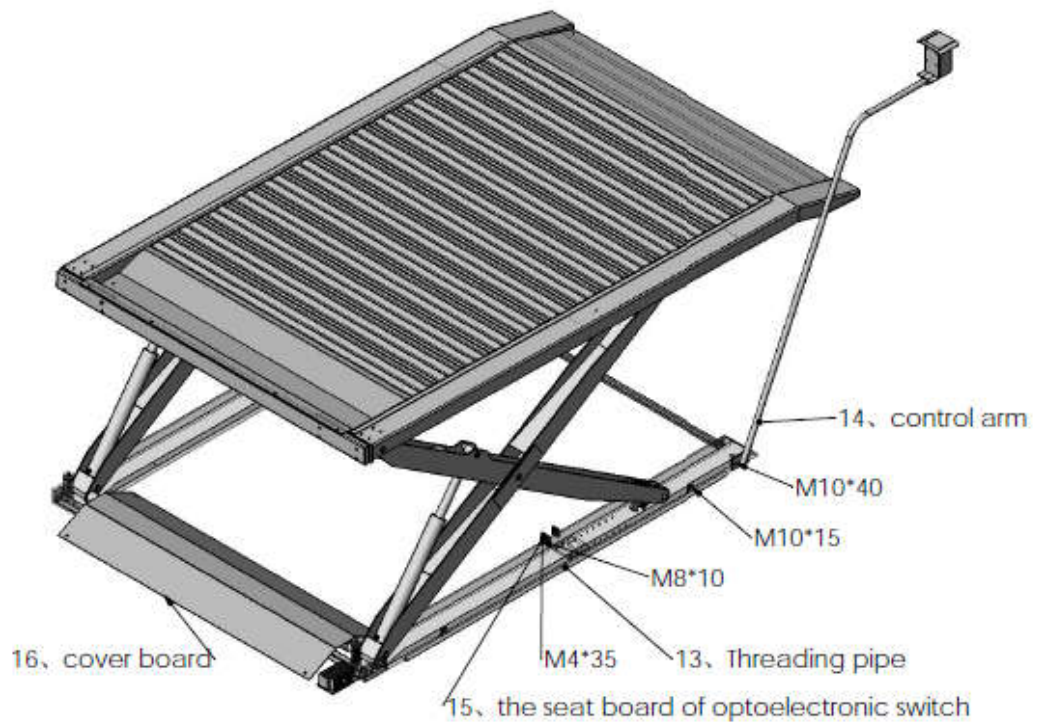


Figure 5 is the control box install .

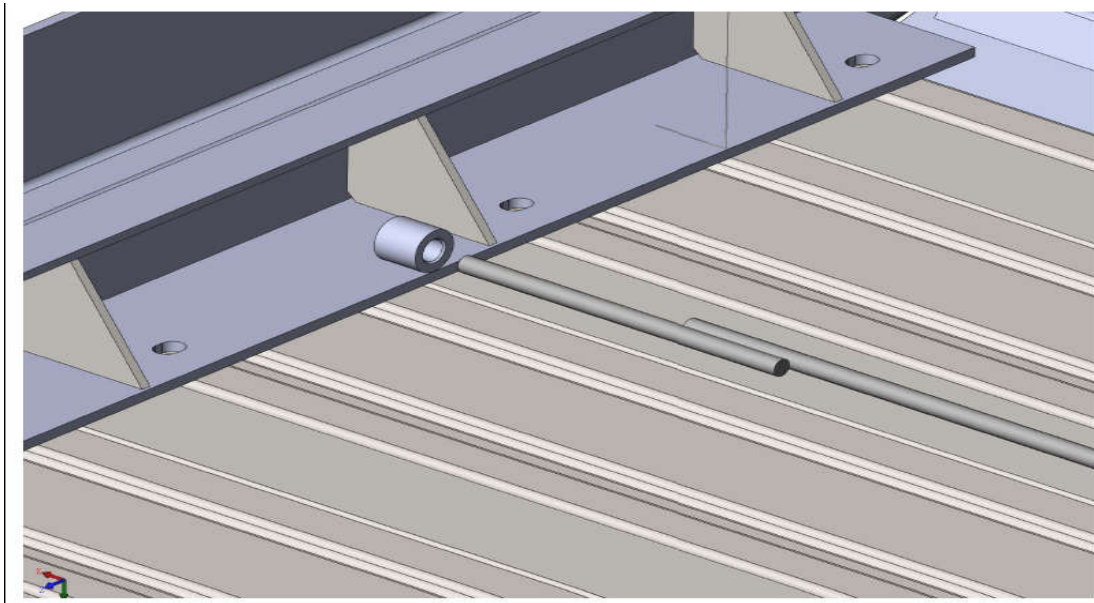


Figure 6

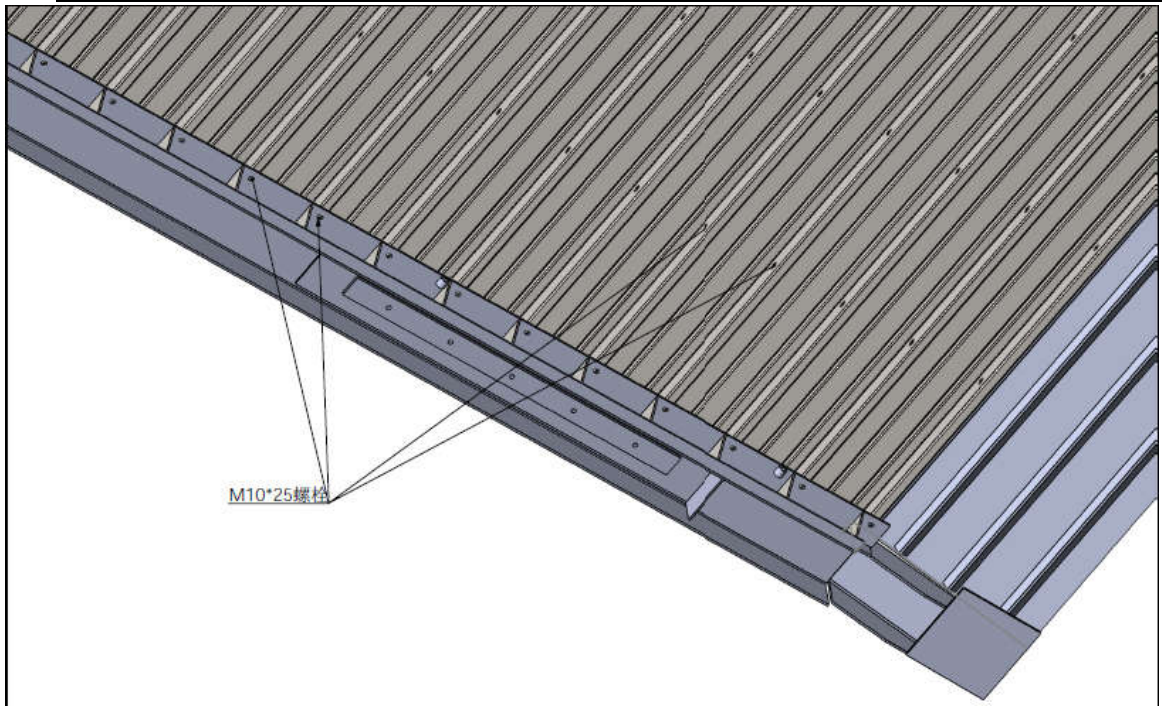


Figure 7

Figure 6 and 7 is the position of the wave plate and the tie bar after the machine lifting .

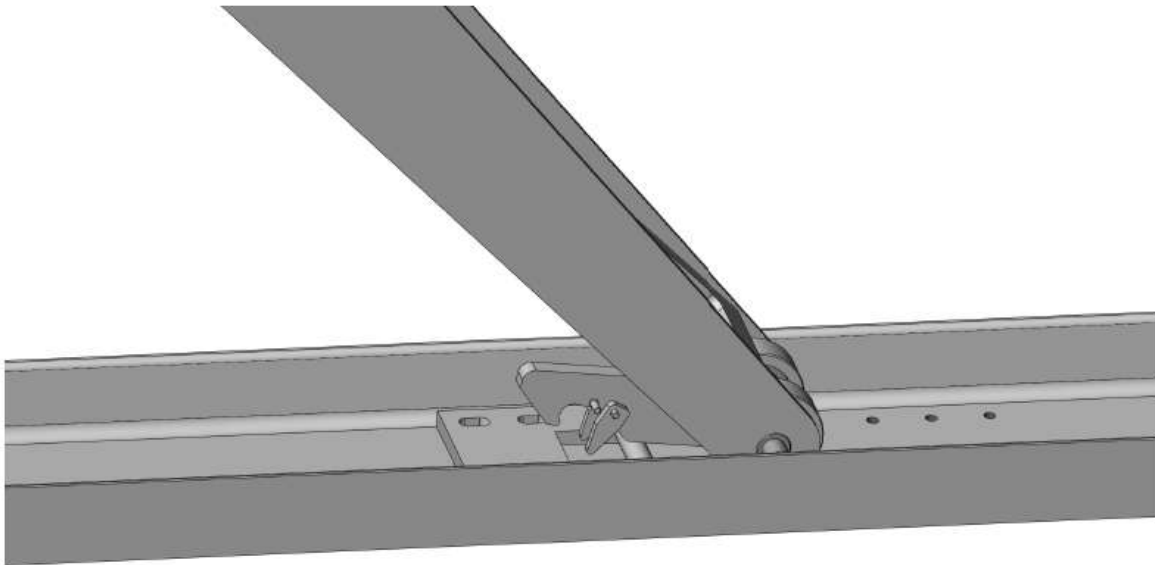


Figure 8 is the machine on the condition of the lock release .

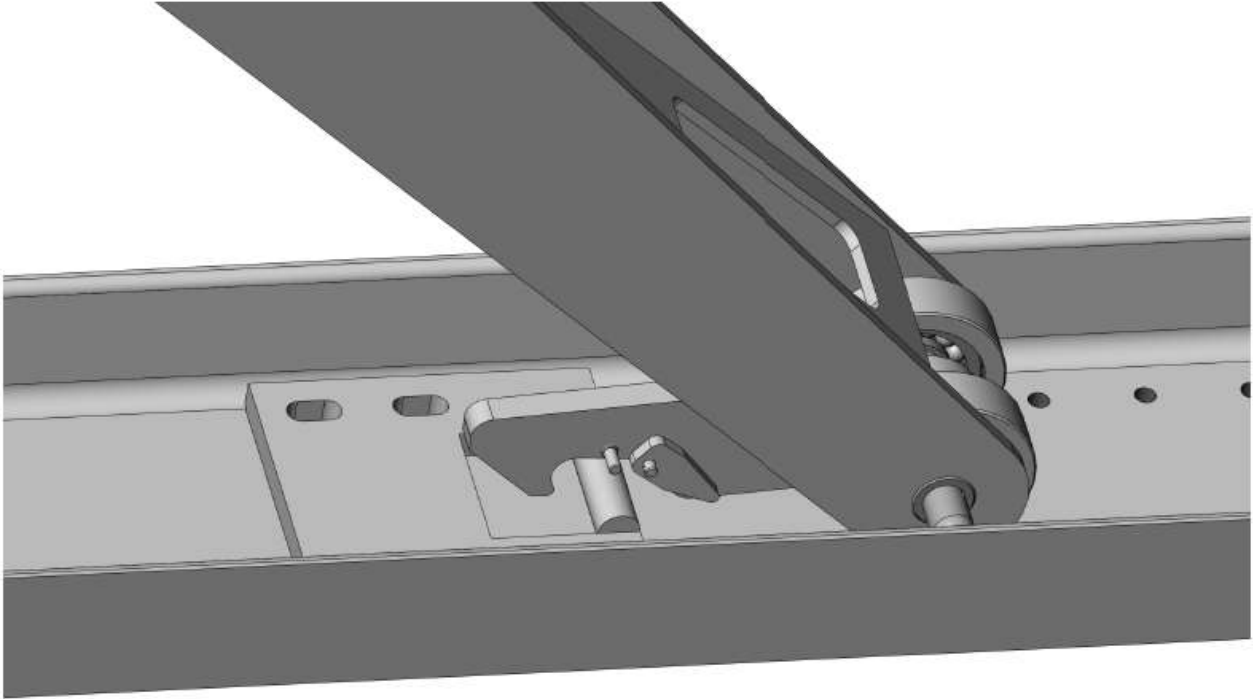


Figure 9 is the machine on the condition of the lock.